

TBS02302B

TBW03002B  
(5Modes)



### FEATURES

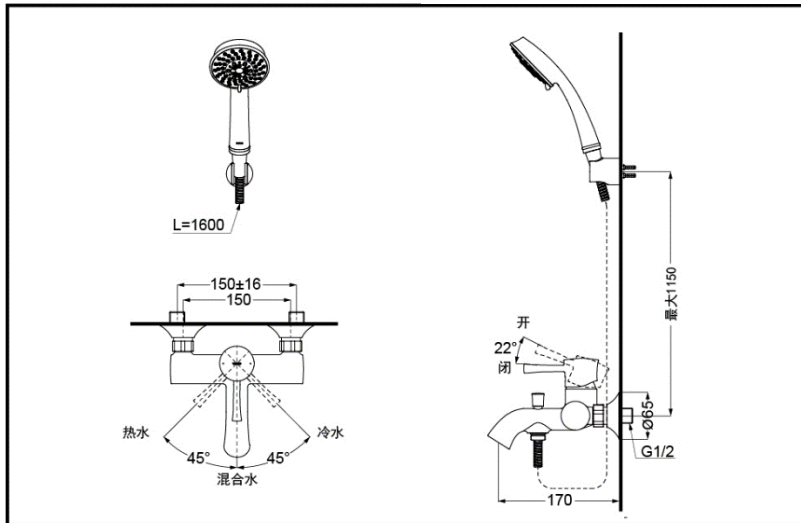
- Elegant appearance.
- Beautiful curves reveal elegant taste.
- Easy installation and usage.

### SPECIFICS

Water Inlet Requirement :  
0.05MPa(Dynamic  
Pressure)~1.0MPa(Static  
Pressure)

Water Efficiency :  
Grade2((Hand Shower)

Wall-Mount Single-Lever Bath & Shower Mixer  
**TBS02302B+TBW03002B**



\*TOTO(CHINA) CO.,LTD. All rights reserved.

### Others

Series : LN

Recommend fittings : L series  
Hand Shower